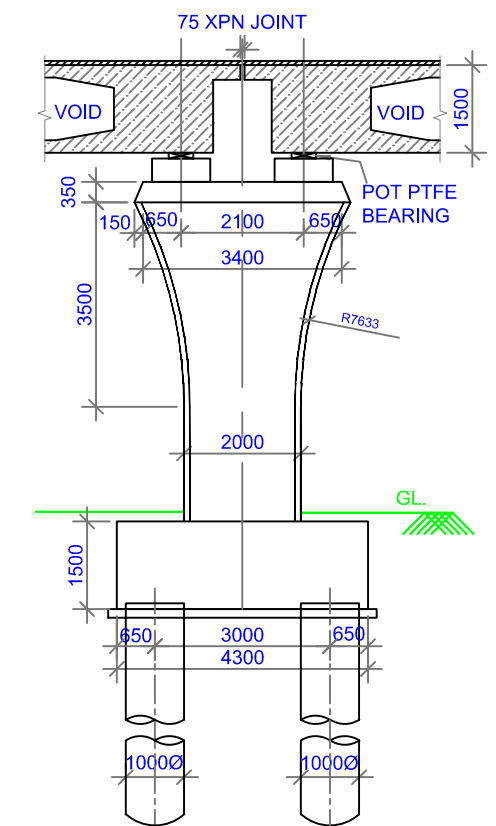
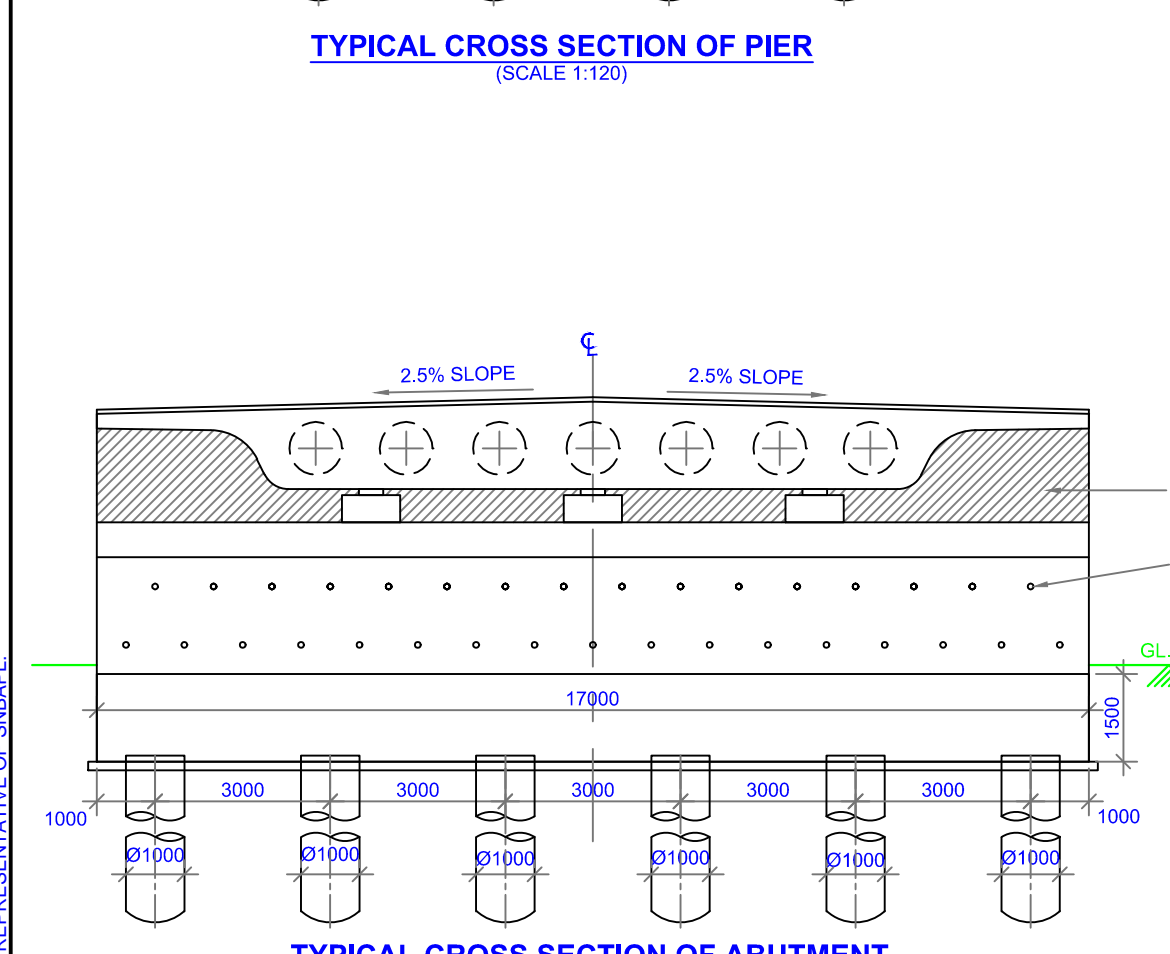


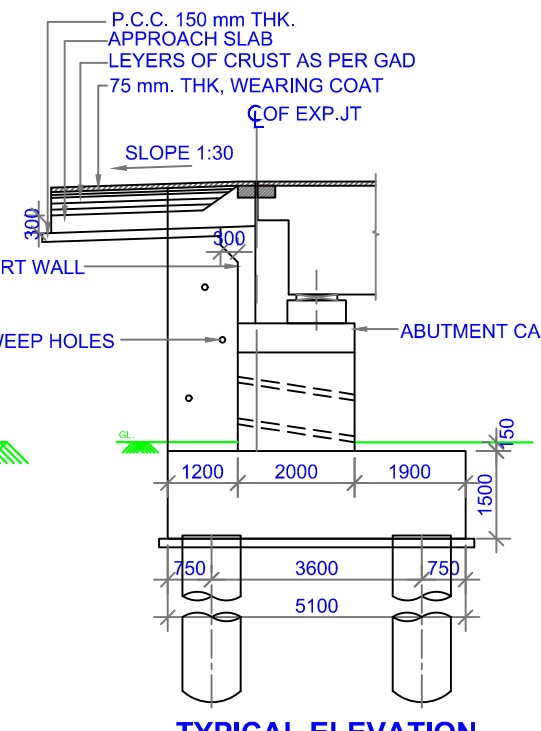
TYPICAL CROSS SECTION OF PIER
(SCALE 1:120)



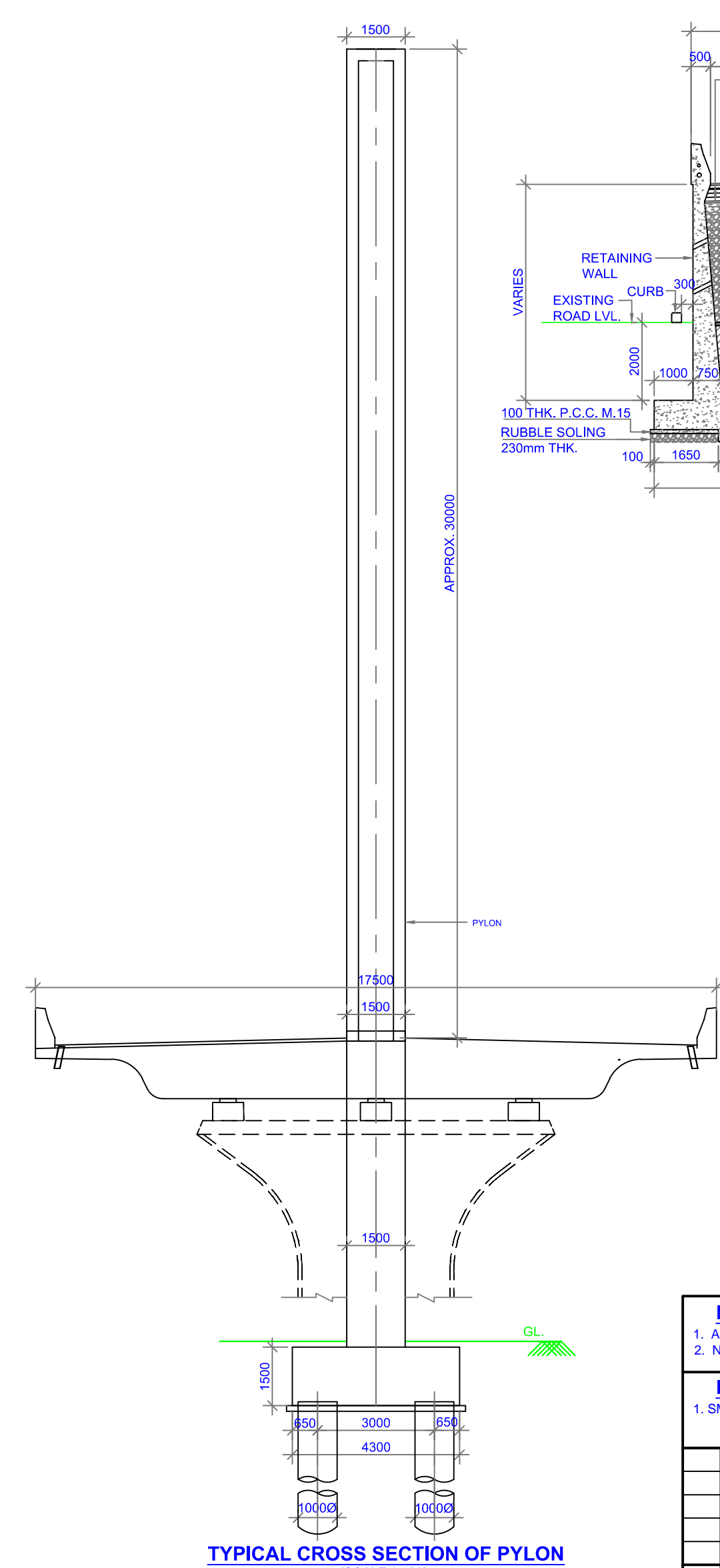
TYPICAL ELEVATION
(SCALE 1:120)



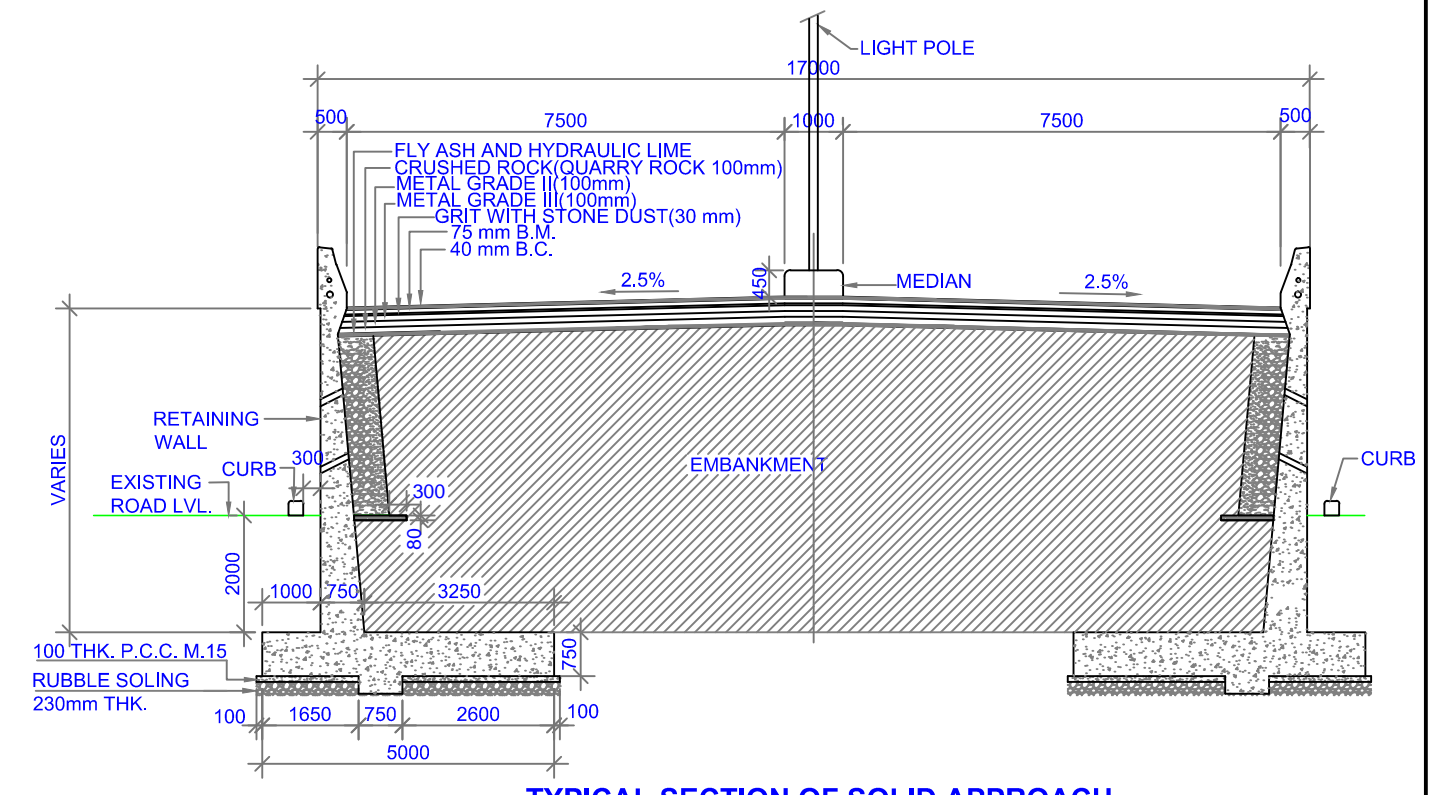
TYPICAL CROSS SECTION OF ABUTMENT
(SCALE 1:120)



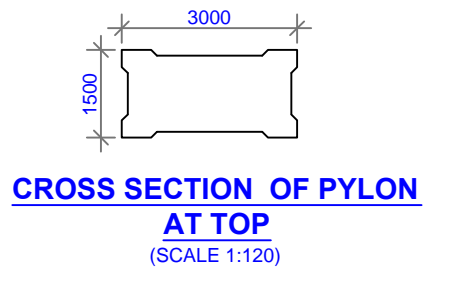
TYPICAL ELEVATION
(SCALE 1:120)



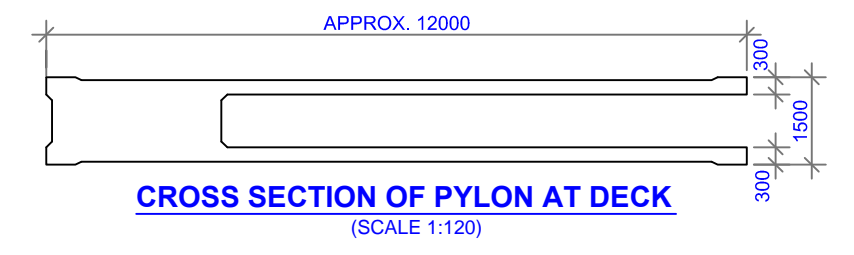
TYPICAL CROSS SECTION OF PYLON
(SCALE 1:120)



TYPICAL SECTION OF SOLID APPROACH
(SCALE 1:120)



CROSS SECTION OF PYLON AT TOP
(SCALE 1:120)



CROSS SECTION OF PYLON AT DECK
(SCALE 1:120)

NOTES:-
1. ALL DIMENSIONS ARE IN MILLIMETRES AND LEVELS ARE IN METRES, UNLESS WRITTEN OTHERWISE.
2. NO DIMENSIONS SHALL BE SCALED FROM THIS DRG. ONLY WRITTEN DIMENSIONS SHALL BE FOLLOWED.

REFERENCE DRAWINGS:-
1. SMC-11/HAZIRA-MAIN RD-FO/GEN/1101/SHEET 1 OF 2/R0 GENERAL ARRANGEMENT DRAWING (PLAN & L-SECTION)

REV. NO.	REV. SYM.	DATE OF ISSUE	REVISION DETAILS	DRAWN BY	CHK. BY	DES. BY	CHK. BY

CONSULTING ENGINEERS:
S.N. BOBE & ASSOCIATES Pvt. Ltd.
Unit No. 10, Banking Complex No.II, Plot No. 9 & 10,
Sector - 19A, Vashi, Navi Mumbai - 400 705, INDIA.
Tel: +91-22-2783 1070 Fax: +91-22-2783 1173
E-mail: info@snbapl.com Website: www.snbapl.com www.tpf.eu

CLIENT:
SURAT MUNICIPAL CORPORATION
MAHANAGAR SEVA SADAN, MUGLISARA SURAT-395003.
TEL NO.:+91-261-2423751 FAX NO.:+91-261-2451935.
Email: commissioner@suratmunicipal.com
Website: www.suratmunicipal.org

DRAWING		DESIGN		
DRAWN BY:	CHECKED BY:	DESIGNED BY:	CHECKED BY:	SCRUTINIZED & RECOMMENDED BY:
B.S. MALVEKAR	K. D. DOCTOR	M. N. PASKANTI	U. M. DALVI	U. M. DALVI
DATE: 16/02/2012	SCALE: AS SHOWN	JOB NO.: SMC-11		

APPROVED BY:
S. P. BADHE

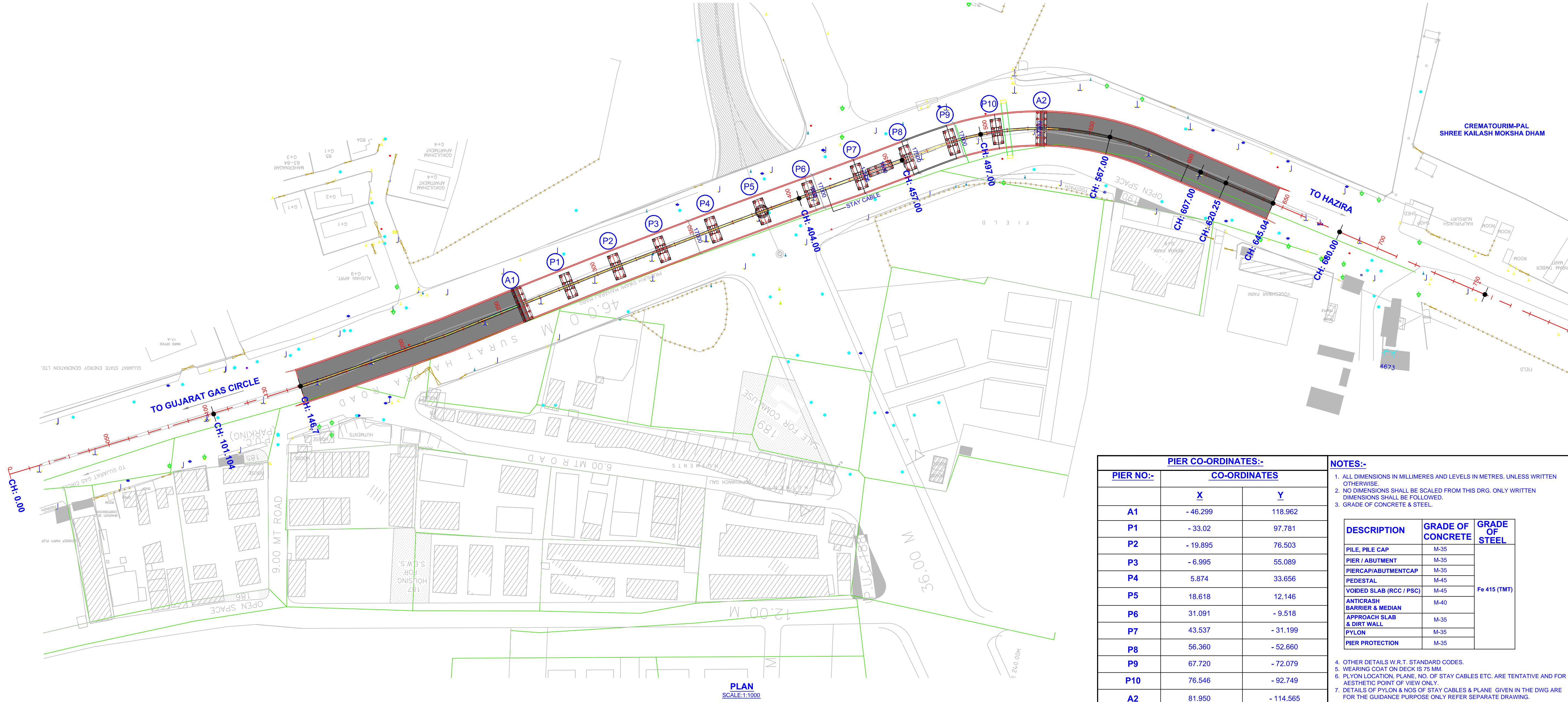
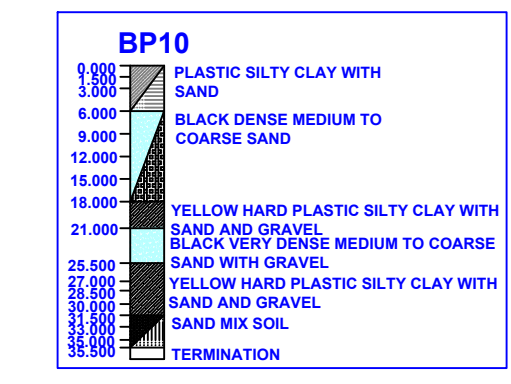
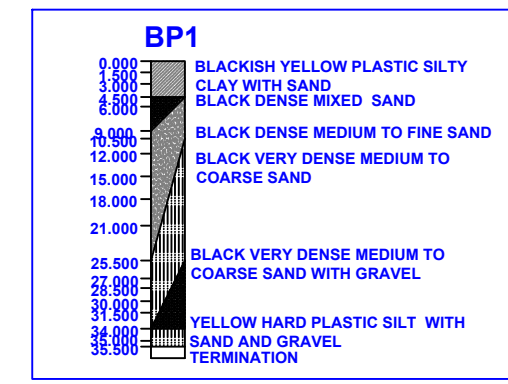
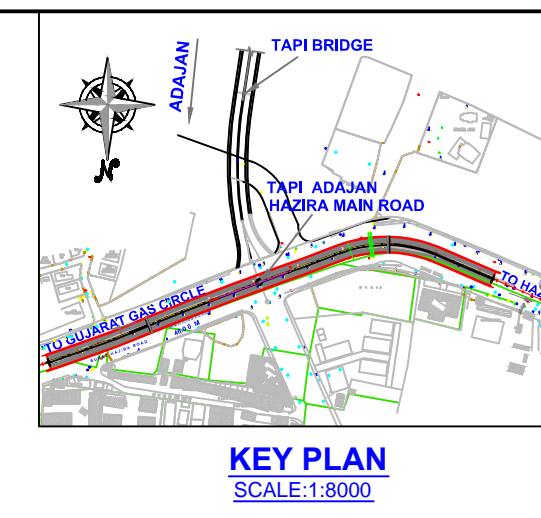
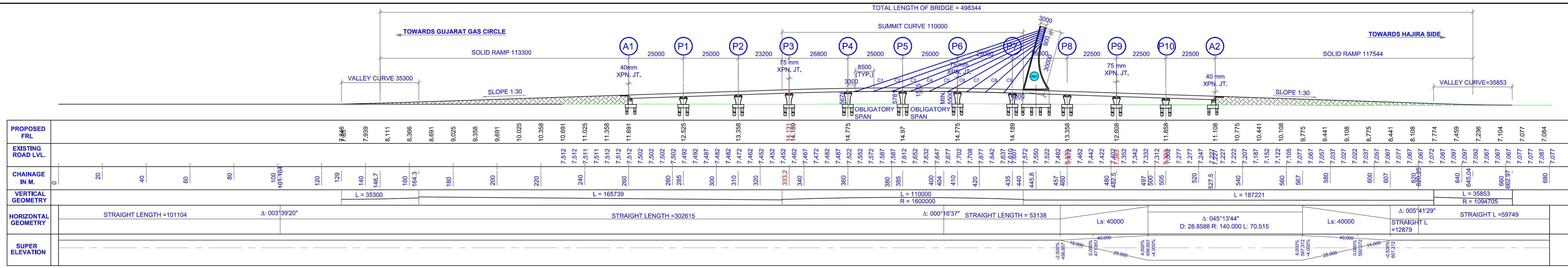
PROJECT: CONSTRUCTION OF FLYOVER BRIDGE ON SURAT-HAJIRA MAIN ROAD NEAR STAR BAZAR JUNCTION, SURAT.

TITLE: CROSS-SECTION DETAILS

DRG. NO.: SMC-11/HAZIRA-MAIN RD-FO/GEN-CS/1101/SHEET 2 OF 2/R0
REV. R0 **A2**

THIS DRAWING AND DESIGN IS THE PROPERTY OF S.N. BOBE & ASSOCIATES PVT. LTD. IT IS SUBJECT TO RECALL AND MUST NOT BE LENT, COPIED OR REPRODUCED WITHOUT WRITTEN PERMISSION FROM AUTHORIZED REPRESENTATIVE OF S.N.B.A.P.L.

CAD FILE: D:\HIMANSHU CHADHANI\PROJECTS\SMC11\HAZIRA-MAIN RD-FO\GEN\1101-SHEET 2 OF 2.R0
HIMANSHU V. C.07/11/2012



PIER CO-ORDINATES:-		
PIER NO:-	CO-ORDINATES	
	X	Y
A1	- 46.299	118.962
P1	- 33.02	97.781
P2	- 19.895	76.503
P3	- 6.995	55.089
P4	5.874	33.656
P5	18.618	12.146
P6	31.091	- 9.518
P7	43.537	- 31.199
P8	56.360	- 52.660
P9	67.720	- 72.079
P10	76.546	- 92.749
A2	81.950	- 114.565

NOTES:-		
1. ALL DIMENSIONS IN MILLIMETRES AND LEVELS IN METRES. UNLESS WRITTEN OTHERWISE.		
2. NO DIMENSIONS SHALL BE SCALED FROM THIS DRG. ONLY WRITTEN DIMENSIONS SHALL BE FOLLOWED.		
3. GRADE OF CONCRETE & STEEL		
DESCRIPTION	GRADE OF CONCRETE	GRADE OF STEEL
PILE, PILE CAP	M-35	Fe 415 (TMT)
PIER / ABUTMENT	M-35	
PIERCAP/ABUTMENTCAP	M-35	
PEDESTAL	M-45	
VOIDED SLAB (RCC / PSC)	M-45	
ANTICRASH BARRIER & MEDIAN	M-40	
APPROACH SLAB & DIRT WALL	M-35	
PYLON	M-35	
PYLON PROTECTION	M-35	
4. OTHER DETAILS W.R.T. STANDARD CODES.		
5. WEARING COAT ON DECK IS 75 MM.		
6. PLYON LOCATION, PLANE, NO. OF STAY CABLES ETC. ARE TENTATIVE AND FOR AESTHETIC POINT OF VIEW ONLY.		
7. DETAILS OF PYLON & NOS OF STAY CABLES & PLANE, GIVEN IN THE DWG ARE FOR THE GUIDANCE PURPOSE ONLY REFER SEPARATE DRAWING.		

CONSULTING ENGINEERS:
S.N. BHOBE & ASSOCIATES Pvt. Ltd.
 Unit No. 10, Banking Complex No. II, Plot No. 9 & 10,
 Sector - 19A, Vashi, Navi Mumbai - 400 705, INDIA.
 Tel: +91-22-2783 1070 Fax: +91-22-2783 1173
 E-mail: info@snbapl.com Website: www.snbapl.com www.tpt.ee

CLIENT:
SURAT MUNICIPAL CORPORATION
 MAHANAGAR SEVA SADAN, MUGLISARA SURAT-395003.
 TEL NO.:+91-261-2423751 FAX NO.:+91-261-2451935.
 Email: commissioner@suratmunicipal.org
 Website: www.suratmunicipal.org

REV. NO.	REV. SYM.	DATE OF ISSUE	REVISION DETAILS	DRAWN BY	CHK. BY	DES. BY	CHK. BY
R1		04-07-2013	PIER P3 SHIFTED AS PER SITE CONDITION				

DRAWING
 DRAWN BY: B.S.MALVEKAR
 CHECKED BY: K. D. DOCTOR
 DESIGNED BY: M.N.PASKANTI
 DATE: 16/02/2012
 SCALE: AS SHOWN

DESIGN
 CHECKED BY: U. M. DALVI
 SCRUTINISED & RECOMMENDED BY:
 APPROVED BY: S. P. BADHE

PROJECT: CONSTRUCTION OF FLYOVER BRIDGE ON SURAT-HAJIRA MAIN ROAD NEAR STAR BAZAR JUNCTION, SURAT.
 TITLE: GENERAL ARRANGEMENT DRAWING (PLAN & L-SECTION)
 DRG. NO.: SMC-11/HAZIRA-MAIN RD-FO/GEN/1101/SHEET 1 OF 2/R0
 REV. R1 A1